

PPC-150T Series

Compact Design & High Efficient Touch Panel PC



PPC-150T

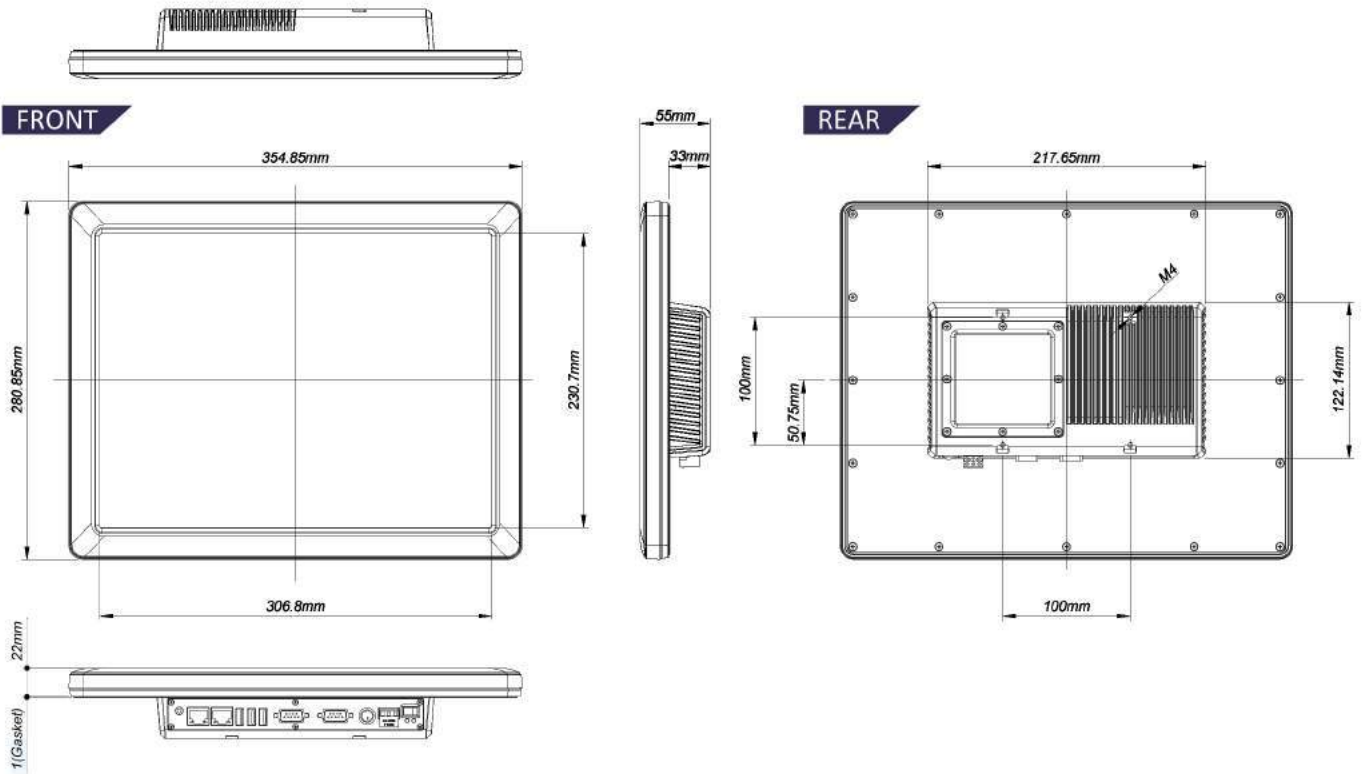
FEATURES

- 15" TFT LCD with Resistive Touchscreen
- DM&P Processor 933MHz / 1 GHz Onboard
- 512MB / 1GB / 2GB System Memory Onboard
- Compact Flash Type I/II / SD Slot / SATA Slim
- Fanless and Low Power Consumption
- Metal Chassis with Compact Design



Specification	Model	PPC-150T
LCD Display	Type	XGA TFT LCD
	Size	15"
	Resolution (Pixel)	1024x768
	Colors	262,144
	View Angle	Vertical 160° / Horizontal 160°
	Brightness	250 cd/m2
	Backlight life	30,000 hrs
	Contrast Ratio	600 : 1
CPU		DM&P Vortex86DX2 933MHz / Vortex86DX3 1 GHz
Cache		DX2 - L1: 16KB I-Cache, 16KB D-Cache / L2: 256KB Cache DX3 - L1: 32KB I-Cache, 32KB D-Cache / L2: 512KB Cache
Memory		512MB / 1GB / 2GB DDRII(DDRIII) Onboard
Watchdog Timer		Software Programmable from 30.5u to 512 seconds x 2 sets
Serial Port		RS-232 / 422 / 485 x 2
USB Ports		USB Ports (Version 2.0) x 3
Ethernet		Integrated 10 / 100 M Ethernet (PoE optional)/ Giga Ethernet(optional)
Audio		HD Audio-Realtek ALC262 CODEC
Internal Drives		Compact Flash Type I/II Slot, SD Slot(optional), SATA Slim
Touch Screen Type		Analog Resistive
Expansion Slot		WLAN Optional
Power Requirement		+12 ~ +24VDC
Power Consumption		+24VDC@1A
Operating Temperature		0 ~ +50°C (+32 ~ +122°F) / -20°C~+60°C (-4 ~ +140°F)
Storage Temperature		-30 ~ +70°C (-22 ~ +158°F)
Operating Humidity		0% ~ 90% Relative Humidity, Non-Condensing
Operating System		Linux, Win CE, Win XP, Win 7, Windows Embedded Standard
Dimensions		354.85x280.35x55mm (13.97x8.22x2.16inches)
Weight		3.8 kg
Certificate		CE, FCC, VCCI, Vibration, IP65 (Front Panel), Shock

DIMENSIONS & SPECIFICATION



I/O VIEW & REAR VIEW

Available for max. total 7 RS232 ports or 16-bit GPIO and 5 RS232 ports solution

